

**Who do you call about
Sliding Door wheels?
It's an open and shut case!**

Sliding Door Systems



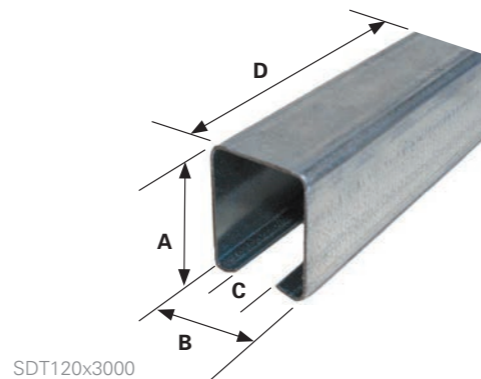
Overhead Tracks / Joiners	170
Overhead Wheeled Carriages	171
Single Track Overhead Bolt-On / Weld-on Brackets	172
Double Track Overhead Brackets	172
Side Fix Single Track Brackets	173
Side Fix Offset Single Track Brackets	173
Side Fix Single Angle Support Brackets	174
Side Fix Double Angle Support Brackets	174
Sliding Door Hardware	175
Bracket Spacing Guide	175

Overhead Tracks

Suits a wide range of applications such as sliding doors, showroom displays, gates, overhead conveyors, cable management etc.

Easy to fit and install.

- Three different series of overhead tracks to suit industrial sliding door systems ranging from 120kg to 450kg.



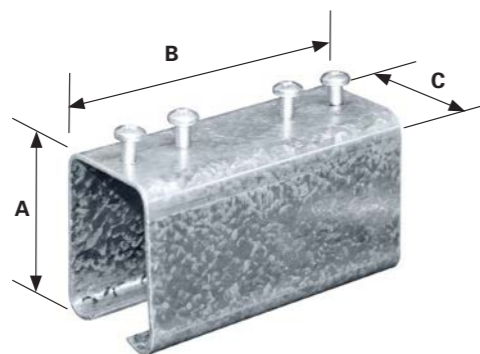
SDT120x3000

CODE	Series	Load Capacity	A (mm)	B (mm)	C (mm)	D (mtr)	Gauge (mm)
SDT120x3000	120	120kg	34	30	12	3.0	1.0
SDT120x4800	120	120kg	34	30	12	4.8	1.0
SDT120x6000	120	120kg	34	30	12	6.0	1.0
SDT200x3000	200	200kg	45	35	13	3.0	1.2
SDT200x3600	200	200kg	45	35	13	3.6	1.2
SDT200x6000	200	200kg	45	35	13	6.0	1.2
SDT450x3000	450	450kg	61	50	18	3.0	1.5
SDT450x6000	450	450kg	61	50	18	6.0	1.5

Please refer to Bracket Spacing Guide on Page 175.

Track Joiners

Galvanised track joining bracket.



SDB200JB

CODE	Series	A (mm)	B (mm)	C (mm)
SDB200JB	200	55	100	40
SDB450JB	450/600	69	100	54

Overhead Wheeled Carriages

Two or four wheel hangers / overhead carriages for sliding door systems.

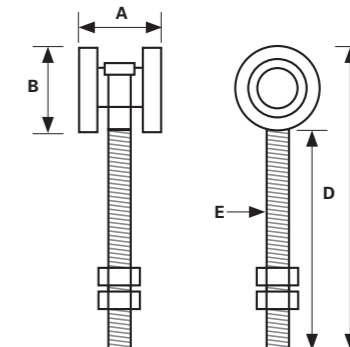
Wheel material in either steel or nylon.

A wide range of applications such as sliding doors, showroom displays, gates, overhead conveyors, cable management etc.

- Suits a range of light to heavy industrial sliding door systems, with load capacities from 80kg to 450kg.



SDC120N2



CODE	Series	Load Capacity	Wheel Material	A (mm)	B (mm)	C (mm)	D (mm)	E (inch)
TWO WHEEL CARRIAGES								
SDC120N2	120	80kg	Nylon	27	31	130	85	3/8 BSW
SDC200N2	200	120kg	Nylon	31	36	147	105	3/8 BSW
SDC450N2	450	250kg	Nylon	41.5	47	165	118	1/2 BSW



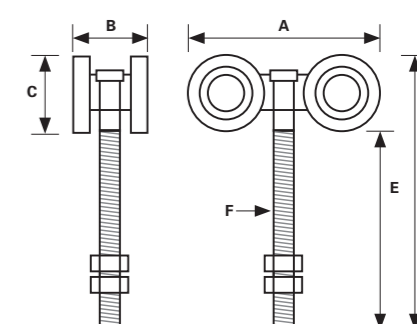
SDC120S4



SDC200N4



SDC450N4



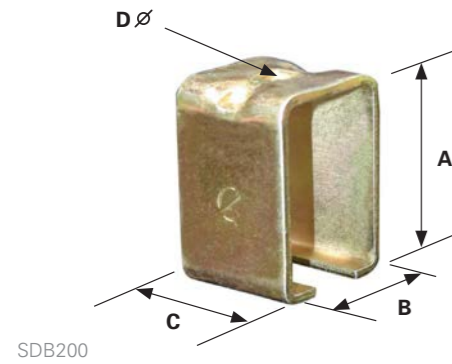
CODE	Series	Load Capacity	Wheel Material	A (mm)	B (mm)	C (mm)	D (mm)	E (mm)	F (inch)
FOUR WHEEL CARRIAGES									
SDC120S4	120	120kg	Steel	79	26	31	95	60	3/8 BSW
SDC120N4	120	120kg	Nylon	79	27	31	120	85	3/8 BSW
SDC200S4	200	200kg	Steel	90	27	36	121	86	3/8 BSW
SDC200N4	200	200kg	Nylon	84	31	36	124	86	3/8 BSW
SDC450S4	450	450kg	Steel	125	43	49	162	120	1/2 BSW
SDC450N4	450	450kg	Nylon	125	44	50	162	120	1/2 BSW



Single Track Overhead Bolt-On / Weld-on Brackets

A wide range of applications such as sliding doors, showroom displays, gates, overhead conveyors and cable management.

- *Single Track Brackets to suit a comprehensive range of industrial sliding door systems from 120kg to 450kg.*



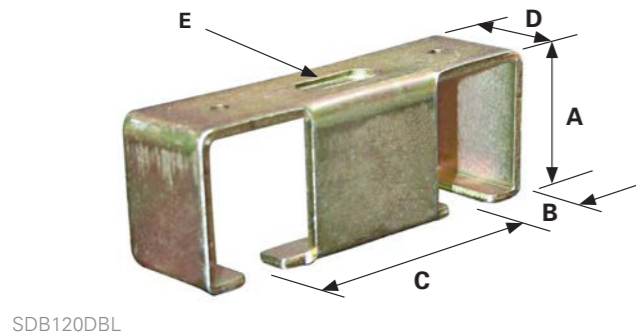
CODE	Series	A (mm)	B (mm)	C (inch)	D (mm)
SDB120	120	45	36	32	9
SDB200	200	57	43	40	9SQ
SDB450	450 / 650	79	57	50	13SQ

Please refer to Bracket Spacing Guide on Page 175.

Double Track Overhead Brackets

A wide range of applications such as sliding doors, showroom displays, gates, overhead conveyors and cable management.

- *Double Overhead Bolt-on Brackets to suit industrial sliding door systems with a door weight of 200kg.*



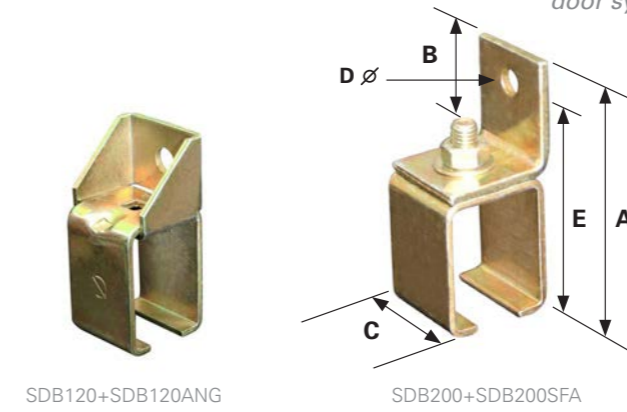
CODE	Series	A (mm)	B (mm)	C (mm)	D (mm)	E (mm)
SDB120DBL	120	46	18	75	30	9
SDB200DBL	200	62	22	65	40	12

Please refer to Bracket Spacing Guide on Page 175.

Side Fix Single Track Brackets

A wide range of applications such as sliding doors, showroom displays, gates, overhead conveyors and cable management.

- *Side Fix Single Track Brackets to suit a comprehensive range of industrial sliding door systems from 120kg to 450kg.*

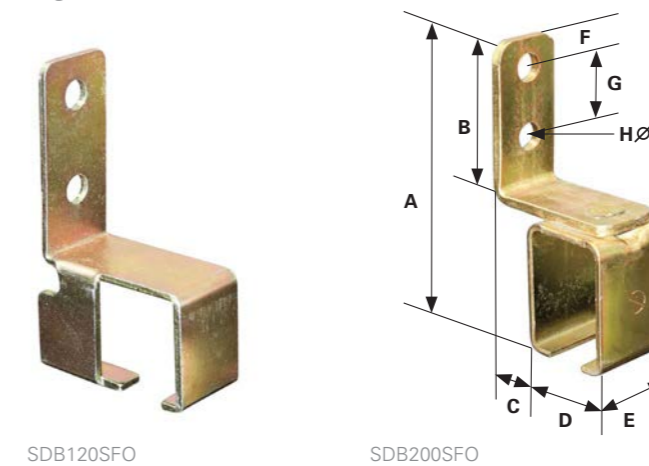


CODE	Series	A (mm)	B (mm)	C (mm)	D (mm)	E (mm)
SIDE FIX SINGLE TRACK BRACKETS						
SDB120+SDB120ANG	120	82	33	32	8	70
SDB200+SDB200SFA	200	91	32	40	11	74
SDB450/650+SDB450/650SFA	450 / 600	120	40	50	13	99

Please refer to Bracket Spacing Guide on Page 175.

Side Fix Offset Single Track Brackets

- *Side Fix Offset Single Track Brackets to suit a range of industrial sliding door systems from 120kg to 200kg.*



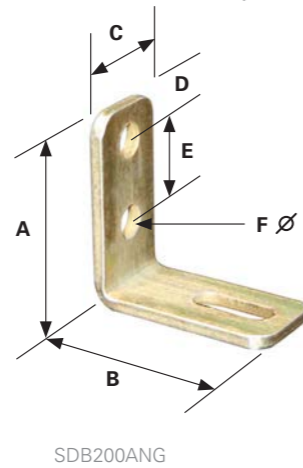
CODE	Series	A (mm)	B (mm)	C (mm)	D (mm)	E (mm)	F (mm)	G (mm)	H (mm)
SIDE FIX OFFSET SINGLE TRACK BRACKET									
SDB120SFO	120	108	66	25	35	33	12	33	10
SDB200SFO	200	128	70	25	43	40	13	30	12



Side Fix Single Angle Support Brackets

A wide range of applications such as sliding doors, showroom displays, gates, overhead conveyors and cable management.

- *Side Fix Single Angle Brackets to suit a comprehensive range of industrial sliding door systems from 120kg to 450kg.*

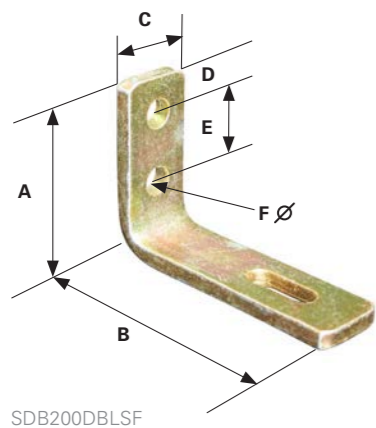


CODE	Series	A (mm)	B (mm)	C (mm)	D (mm)	E (mm)	F (mm)
SDB120ANG	120	36	36	32	11	-	12
SDB200ANG	200	70	70	32	13	30	14
SDB450/650ANG	450 / 650	75	99	50	26	30	14

Side Fix Double Angle Support Brackets

A wide range of applications such as sliding doors, showroom displays, gates, overhead conveyors and cable management.

- *Double Angle Overhead Support Brackets to suit a range of industrial sliding door systems from 120kg to 200kg.*



CODE	Series	A (mm)	B (mm)	C (mm)	D (mm)	E (mm)	F (mm)
SDB120DBLSF	120	70	97	32	13	30	12
SDB200DBLSF	200	70	70	32	13	30	12

Sliding Door Hardware

Trackstop internally attached to track as an adjustable door stop.

Bolt and Nut sets are either gold passivated or zinc plated.

Top Plate Assembly and Floor Guides also available.

Suits a wide range of applications such as sliding doors, showroom displays, gates, overhead conveyors, cable management etc.



SDB-TS



SDB120-BS



SDB120-TP



SDFGUIDE

CODE	Description	Series	Dimensions / Bolt Size
SDB-TS	Track Stop	All Series	27mm x 43mm
SDB120-BS	Bolt Set	120	M8 x 20mm
SDB200-BS	Bolt Set	200	M8 x 20mm
SDB450/650-BS	Bolt Set	450 / 650	M12
SDB120-TP	Top Plate Assembly	120 / 200	102mm x 25mm 3/8 BSW
SDFGUIDE	Nylon Floor Guide	All Series	120L x 75W x 30H

Bracket Spacing Guide

HARDWARE	DOOR WEIGHT						
120 Series	120kg	100kg	80kg	70kg	60kg	50kg	<50kg
200 Series	120kg	160kg	130kg	100kg	85kg	80kg	<80kg
450 Series	450kg	400kg	320kg	260kg	220kg	170kg	<170kg
800 Series	800kg	600kg	420kg	330kg	260kg	210kg	<210kg
BRACKET SPACING	600mm	700mm	800mm	900mm	1000mm	1100mm	1200mm

